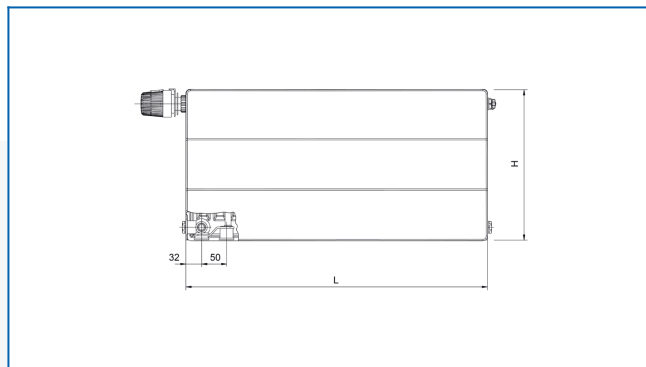


## RADIK LINE VKL

Panel radiator with flat front panel with fine horizontal grooves and left bottom connection



## Entered filters

Heat output:  $t_1: 75\text{ °C}$  |  $t_2: 65\text{ °C}$  |  $t_i: 20\text{ °C}$  |  $\Delta t: 50\text{ °C}$

