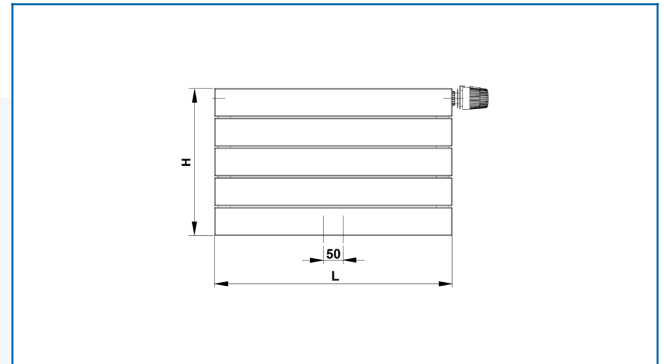


KORATHERM HORIZONTAL VKM

Design radiators with horizontally aligned profiles, bottom middle connection, built-in distribution pipeline and an inserted valve



Entered filters

Heat output: $t_1: 75\text{ °C} \mid t_2: 65\text{ °C} \mid t_i: 20\text{ °C} \mid \Delta t: 50\text{ °C}$

