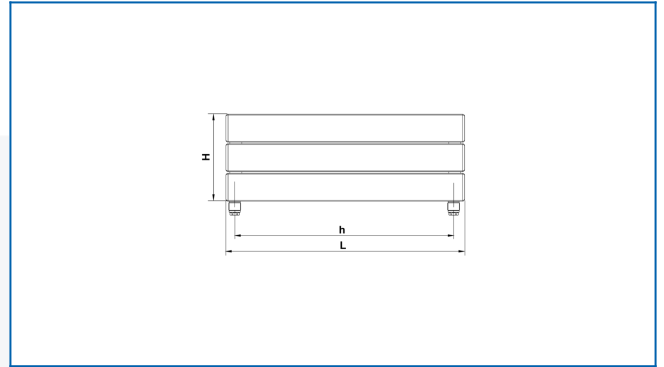


KORATHERM HORIZONTAL, K23H, K33H, K44H, K46H

Design radiators with horizontally aligned profiles and bottom connection



Entered filters

Heat output: $t_1: 75\text{ °C}$ | $t_2: 65\text{ °C}$ | $t_i: 20\text{ °C}$ | $\Delta t: 50\text{ °C}$

